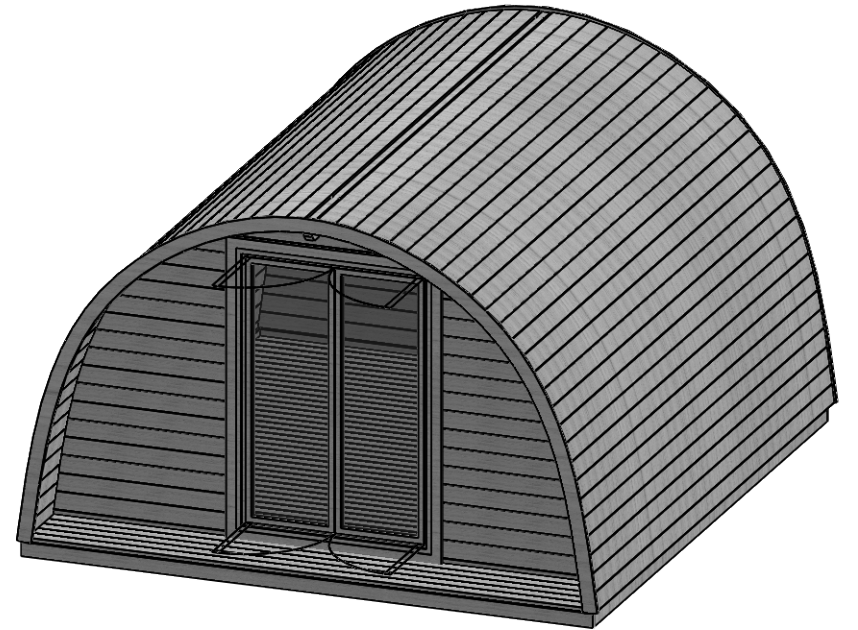
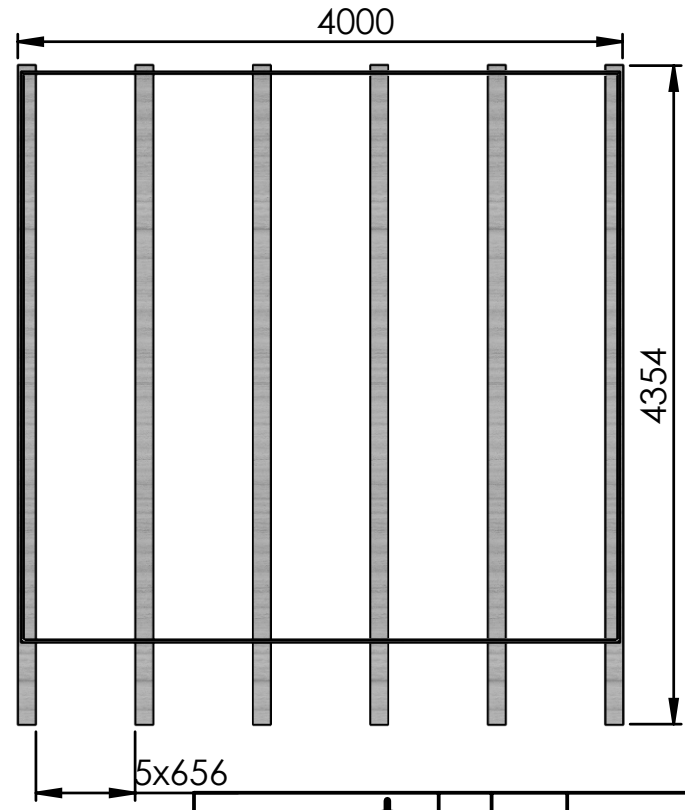
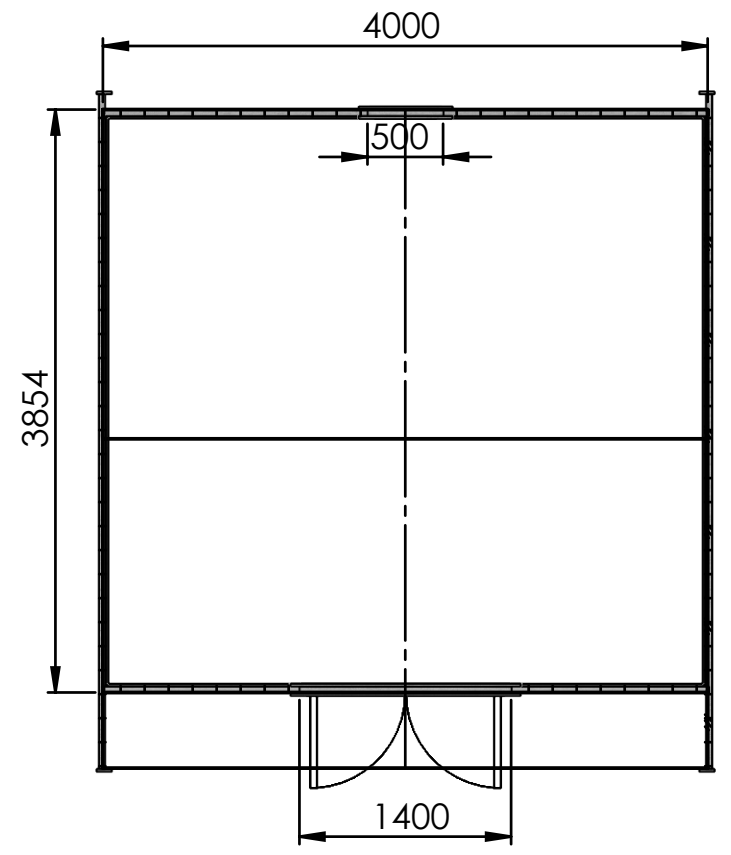
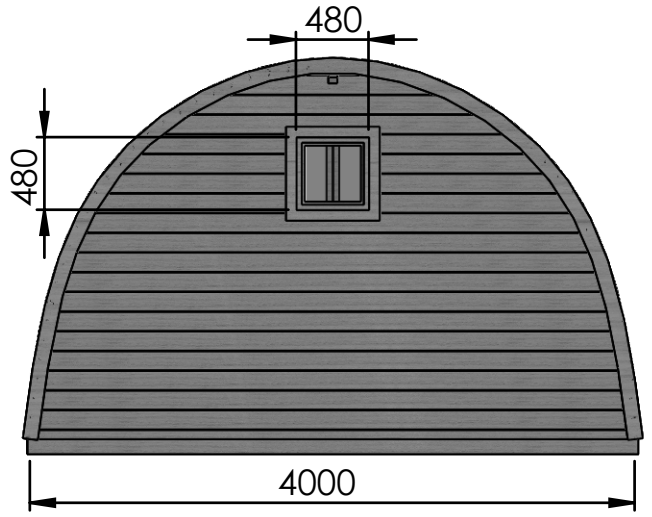
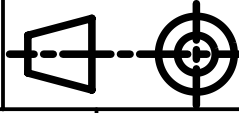


ITEM NO.	DESCRIPTION	QTY.
13	DOOR 1980x1380	1
14	WINDOW 480x480	1
15		1



Date 2019-11-05



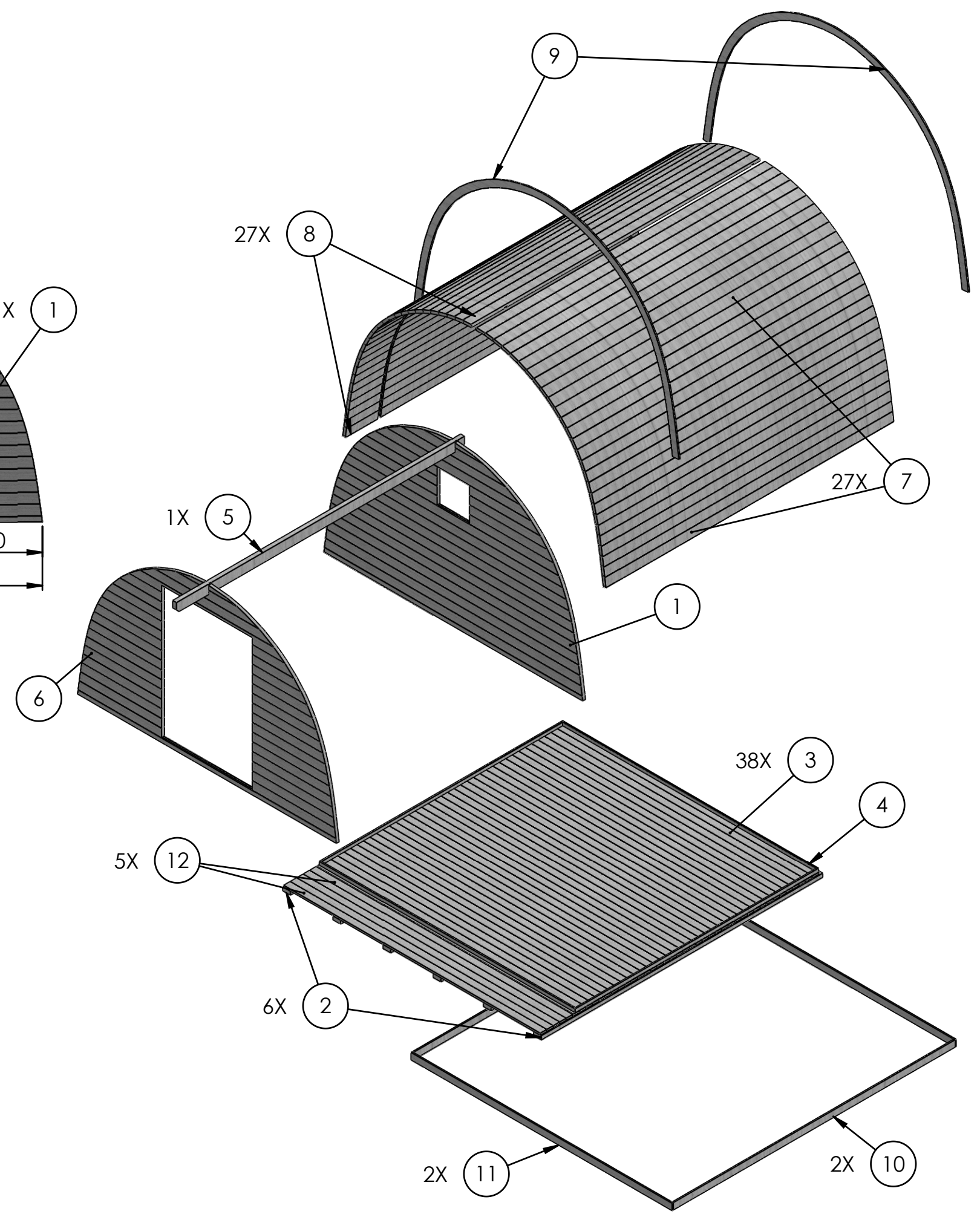
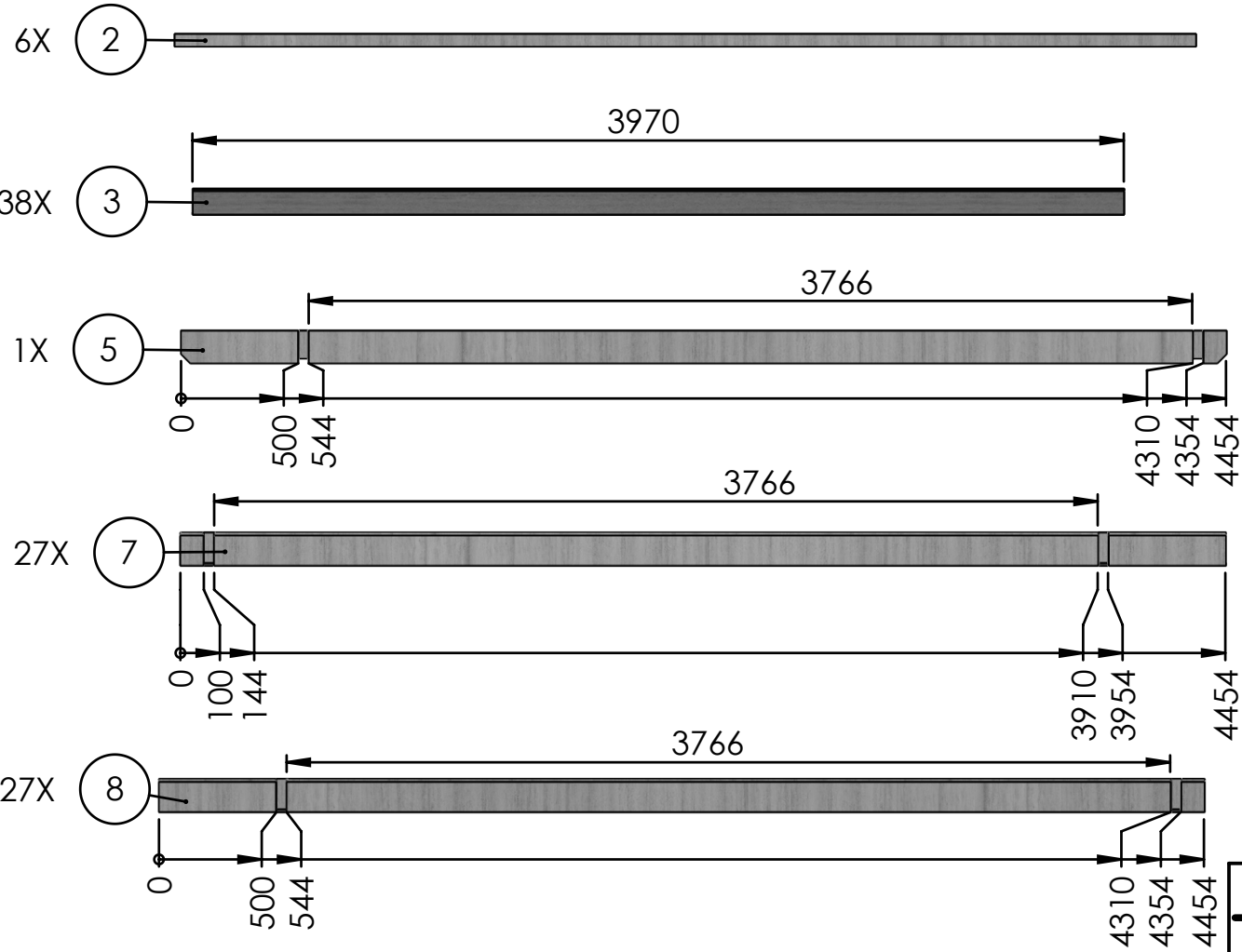
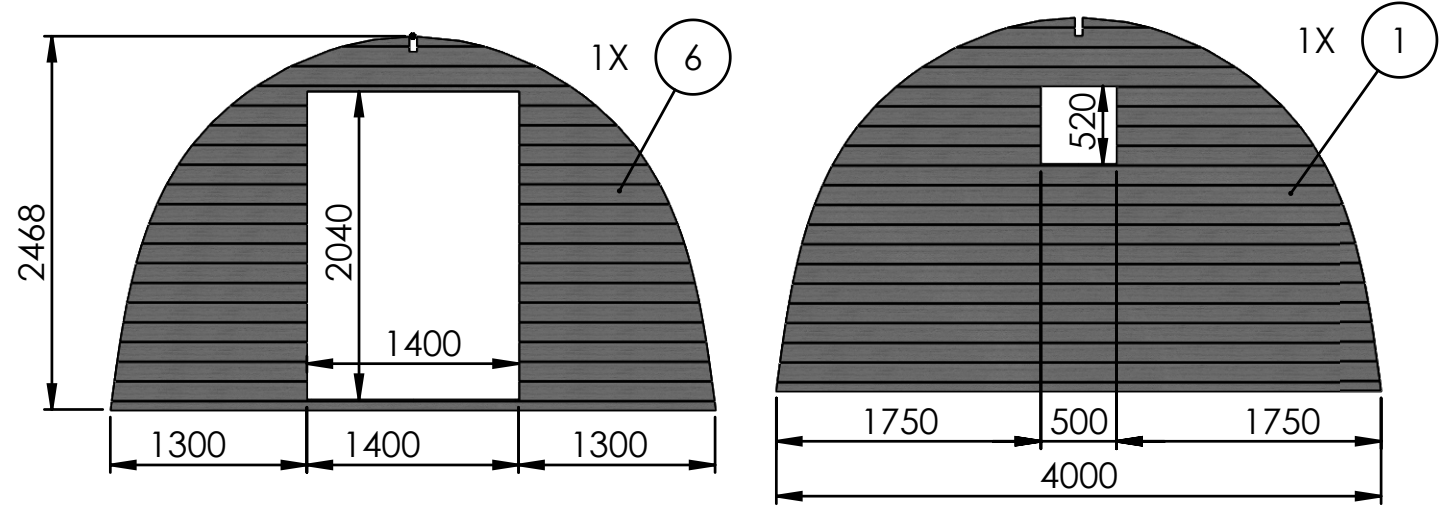
2019-11-12 10:40:49
Date

IE-RQ1015_44

Sheet 1-4
Sheet1

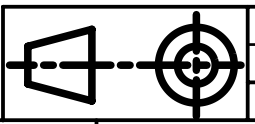
A3

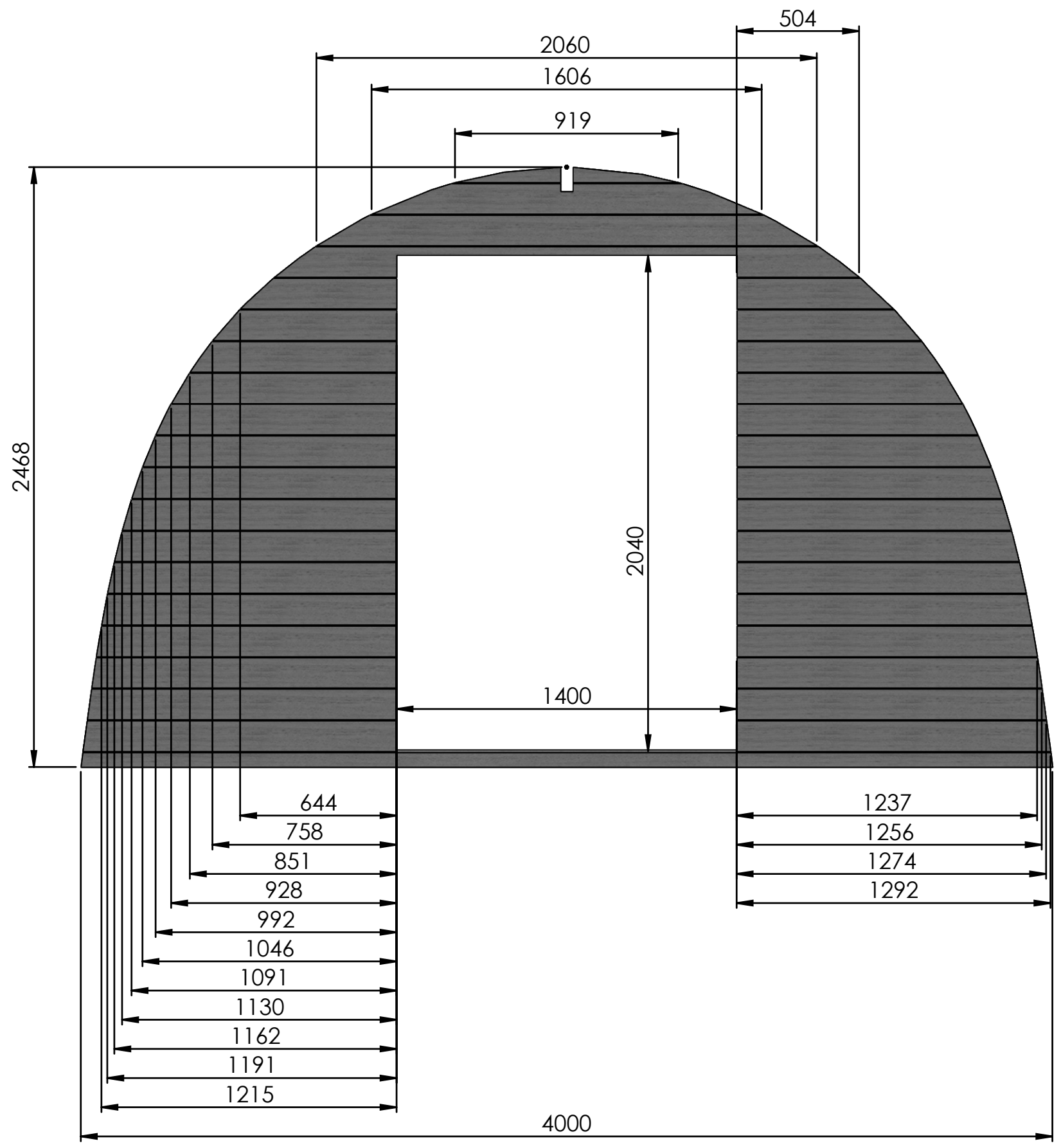
ITEM NO.	QTY.	DESCRIPTION	LENGTH
1	1	SIDE BEAM	0
2	6	FLOOR JOINTS 55x120	4354
3	38	FLOORBOARD 28x100	3970
4	1	PLINTH 19x50	15450
5	1	RAFTERS 60x140	4454
6	1	SIDE BEAM	0
7	27	SIDE BEAM 130x41	4454
8	27	SIDE BEAM 130x41	4454
9	2	WINDBOARD	
10	2	WINDBOARD 19x100	4354
11	2	WINDBOARD 19x100	4038
12	5	VERANDA BOARD 28x100	3970



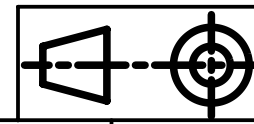
Date 2019-11-05

2578363012





Date	2019-11-05
	2578363012

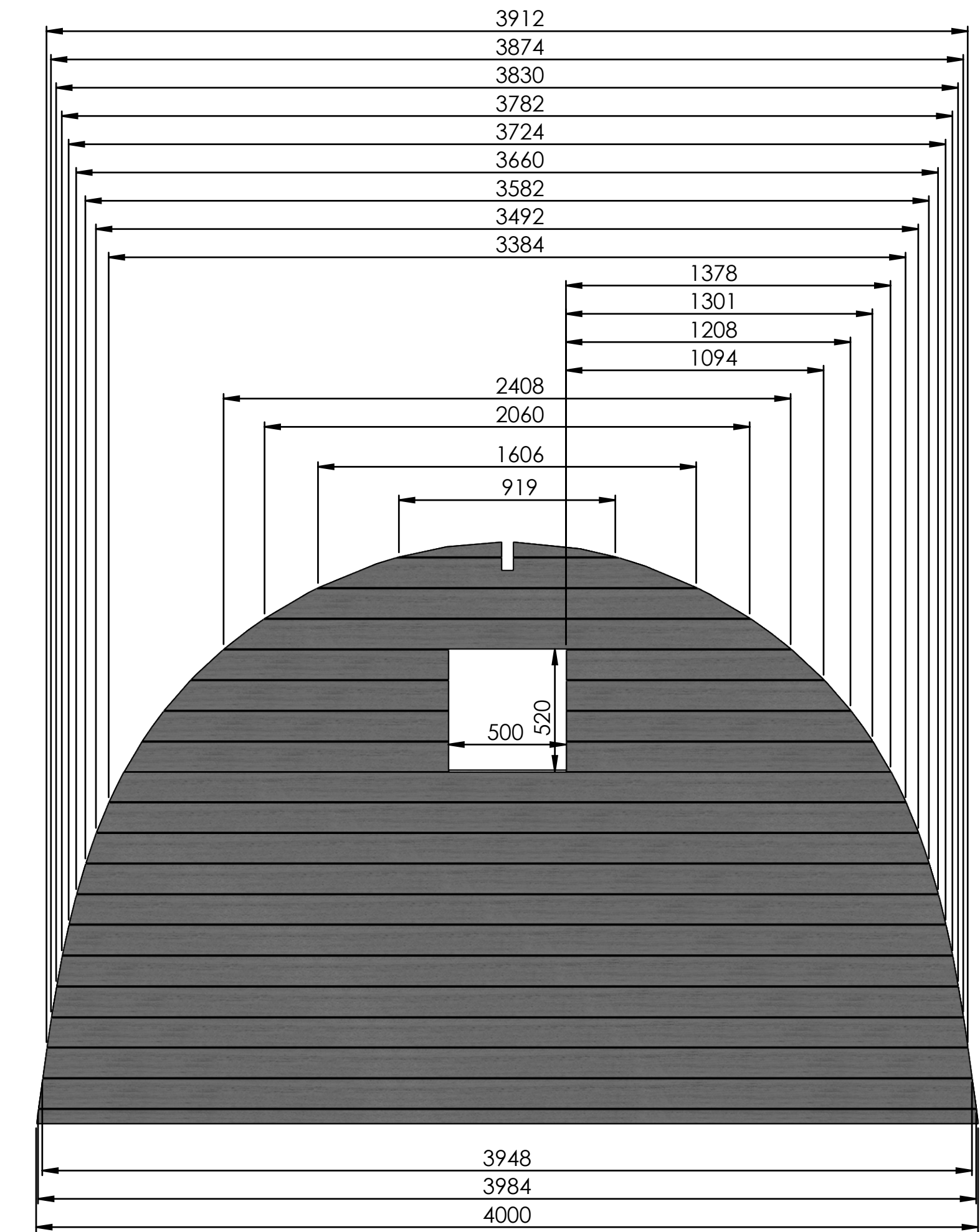


Sheet 3-4	2019-11-12 10:40:49
-----------	------------------------

Date	
------	--

IE-RQ1015_44

Sheet3	A3
--------	----



Date	2019-11-05
	2578363012

	Sheet 4-4	2019-11-12 10:40:49	IE-RQ1015_44	A3
		Date		Sheet4