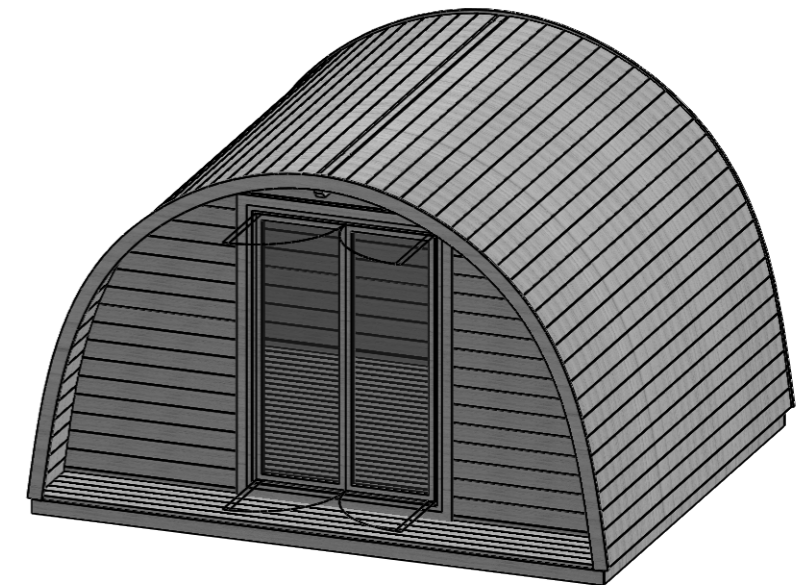
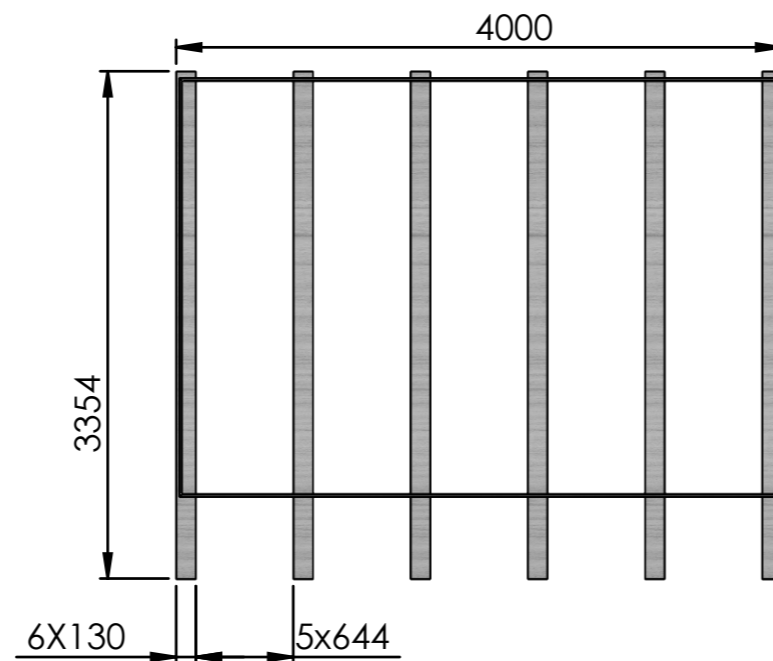
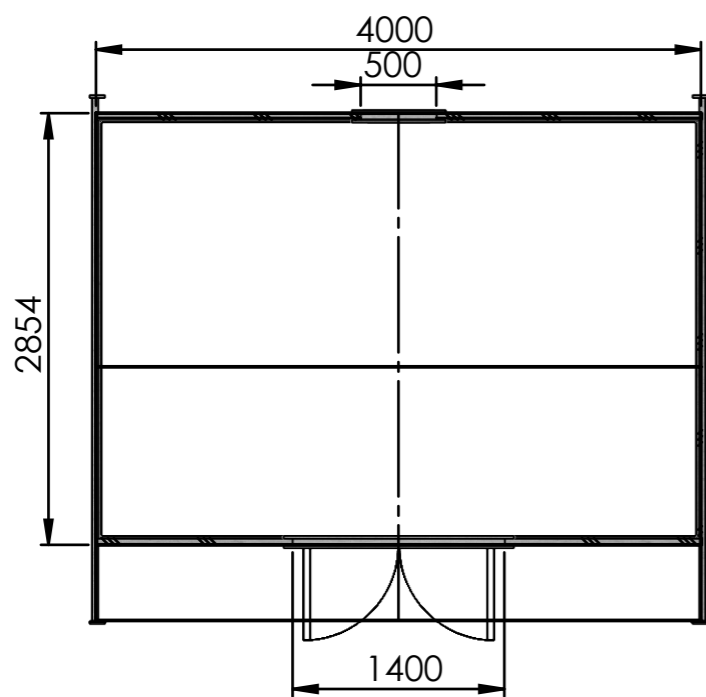
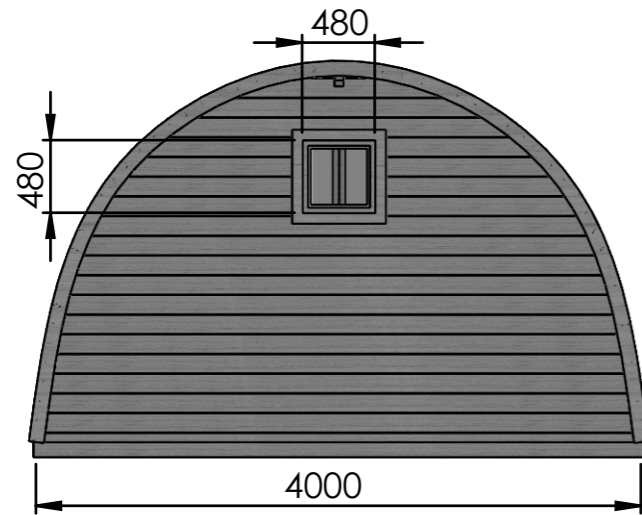
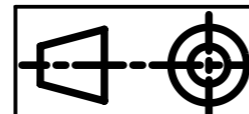


ITEM NO.	DESCRIPTION	QTY.
13	DOOR 1980x1380	1
14	WINDOW 480x480	1
15		1



Date	2019-11-05
------	------------



Sheet 1-4

2019-11-12
10:37:35

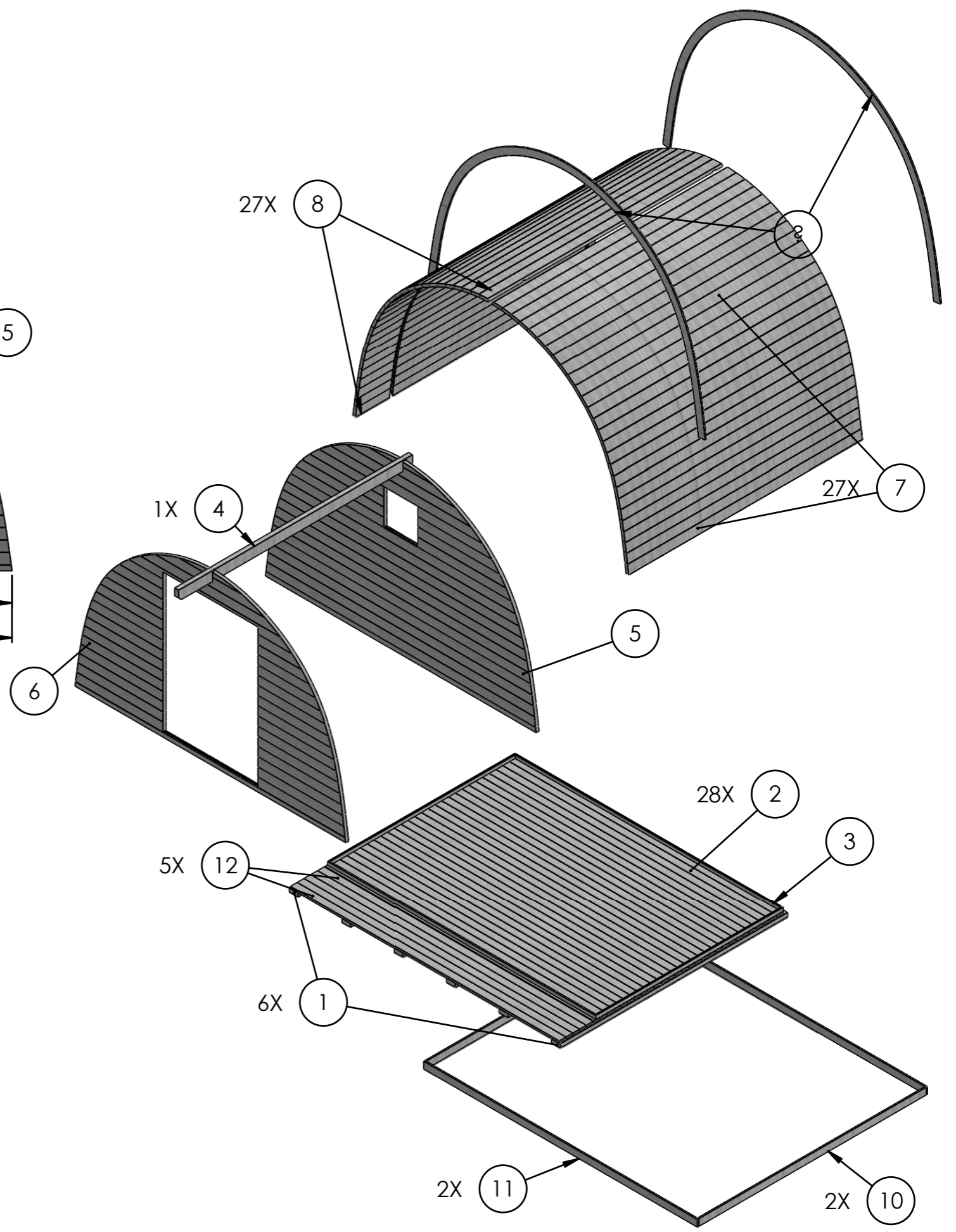
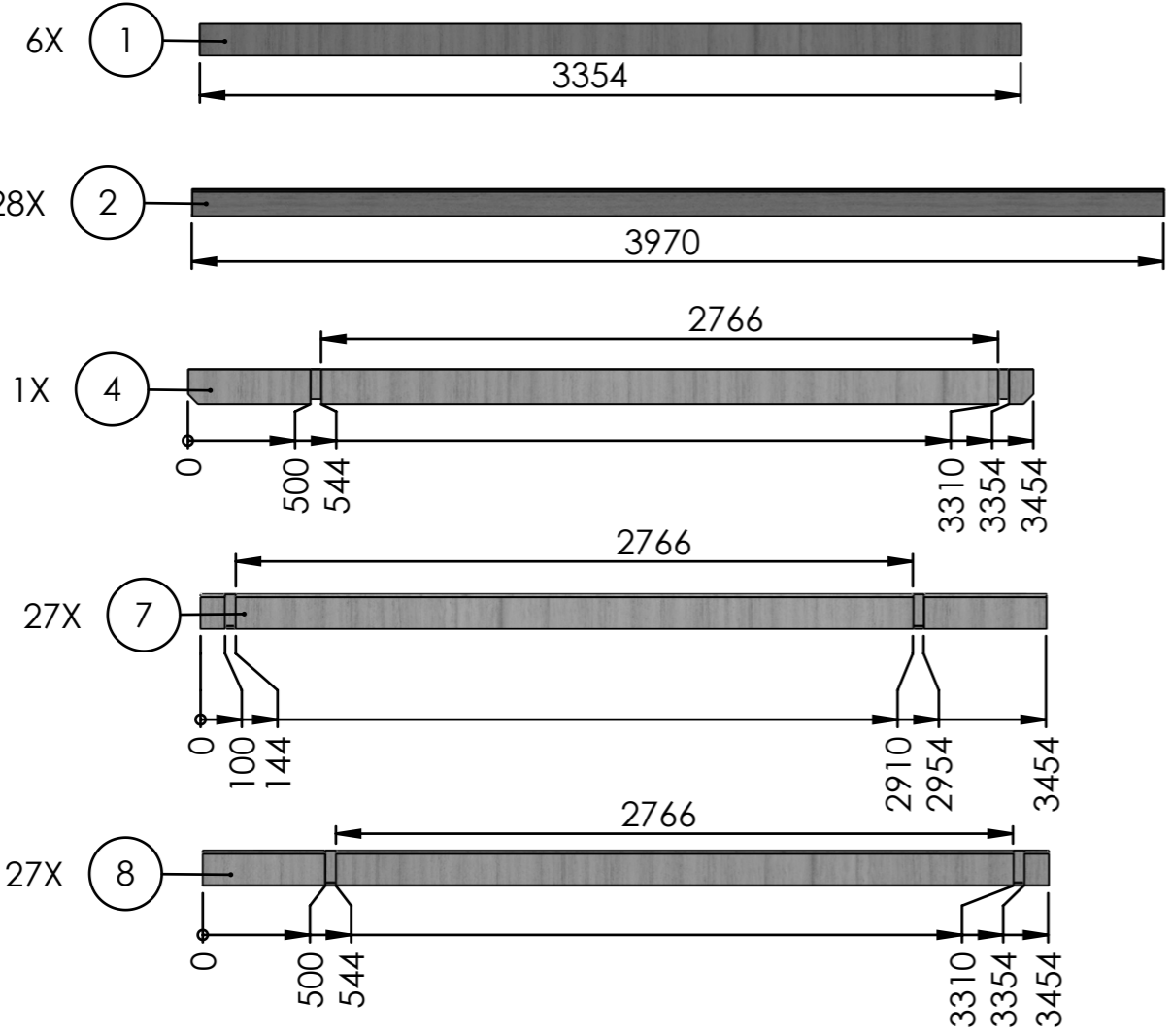
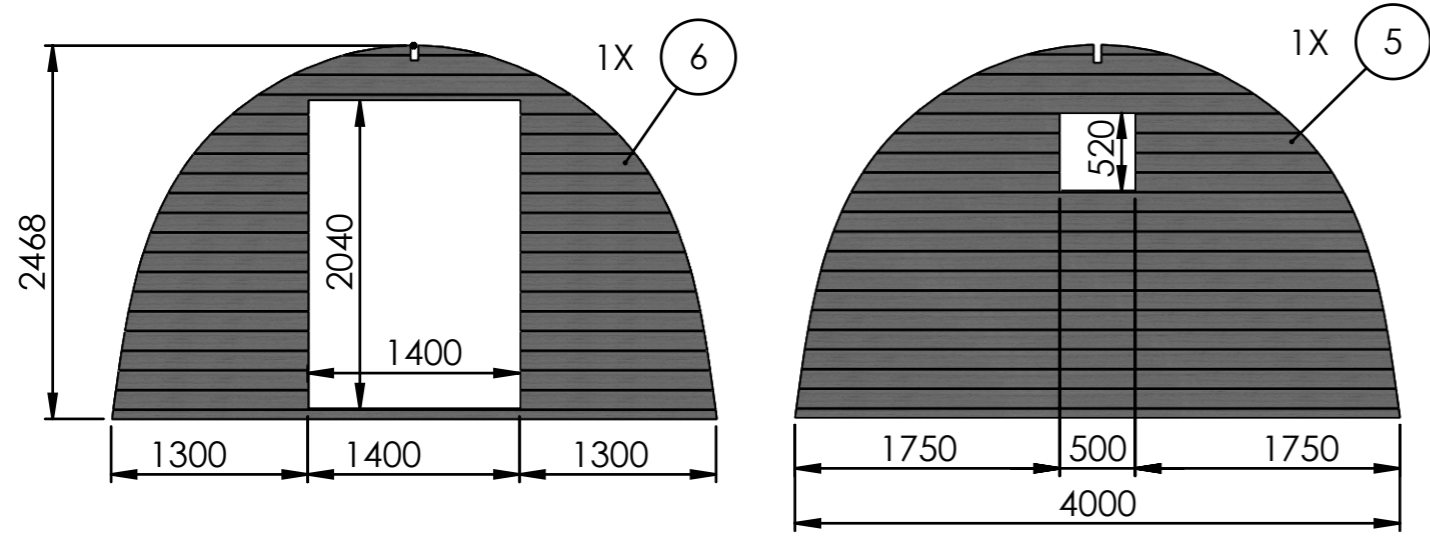
Date

IE-RQ1015_43

A3

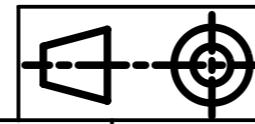
Sheet1

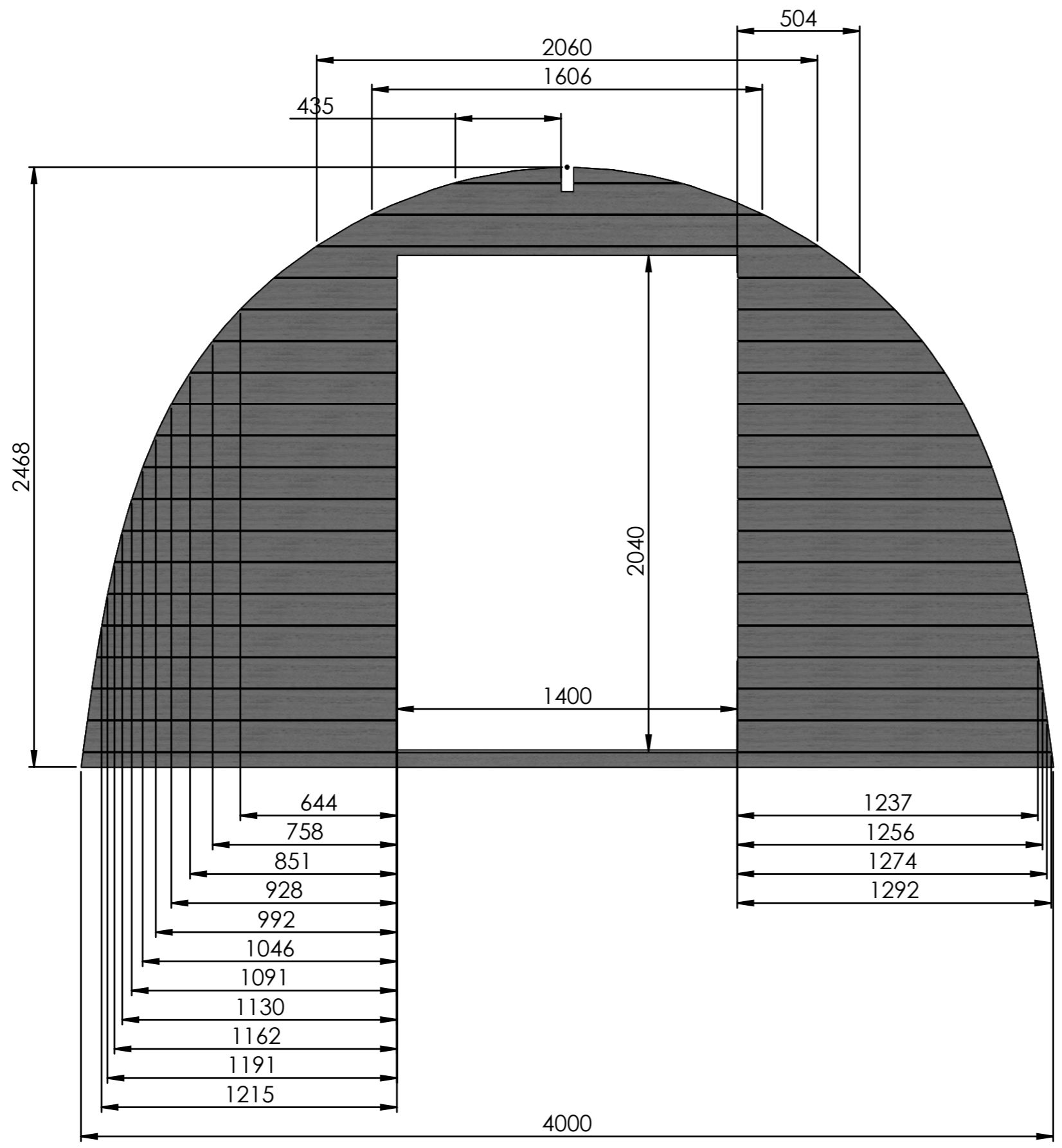
ITEM NO.	QTY.	DESCRIPTION	LENGTH
1	6	FLOOR JOINTS 55x130	3354
2	28	FLOORBOARD 28x100	3970
3	1	PLINTH 19x50	13450
4	1	RAFTERS 60x140	3454
5	1	SIDE BEAM	0
6	1	SIDE BEAM	0
7	27	SIDE BEAM 130x41	3454
8	27	SIDE BEAM 130x41	3454
9	2	WINDBOARD	
10	2	WINDBOARD 19x100	3354
11	2	WINDBOARD 19x100	4038
12	5	VERANDA BOARD 28x100	3970



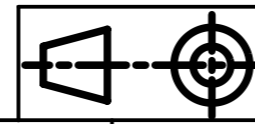
Date 2019-11-05

2136775338





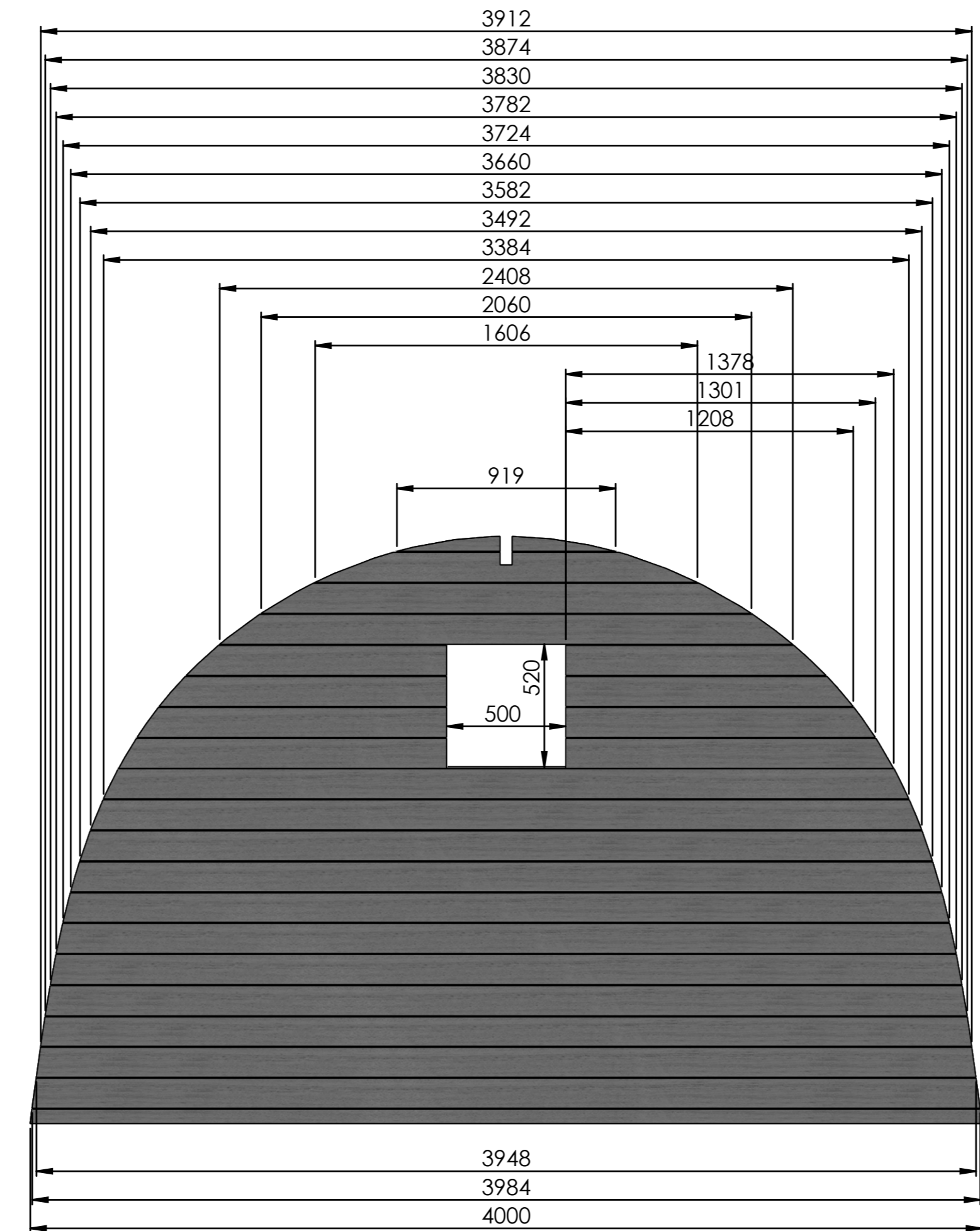
Date	2019-11-05
	2136775338



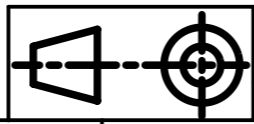
Sheet 3-4	2019-11-12 10:37:35
-----------	------------------------

Date	IE-RQ1015_43
------	--------------

Sheet3	A3
--------	----



Date	2019-11-05
	2136775338



Sheet 4-4	2019-11-12 10:37:35	Date	IE-RQ1015_43	A3
			Sheet4	