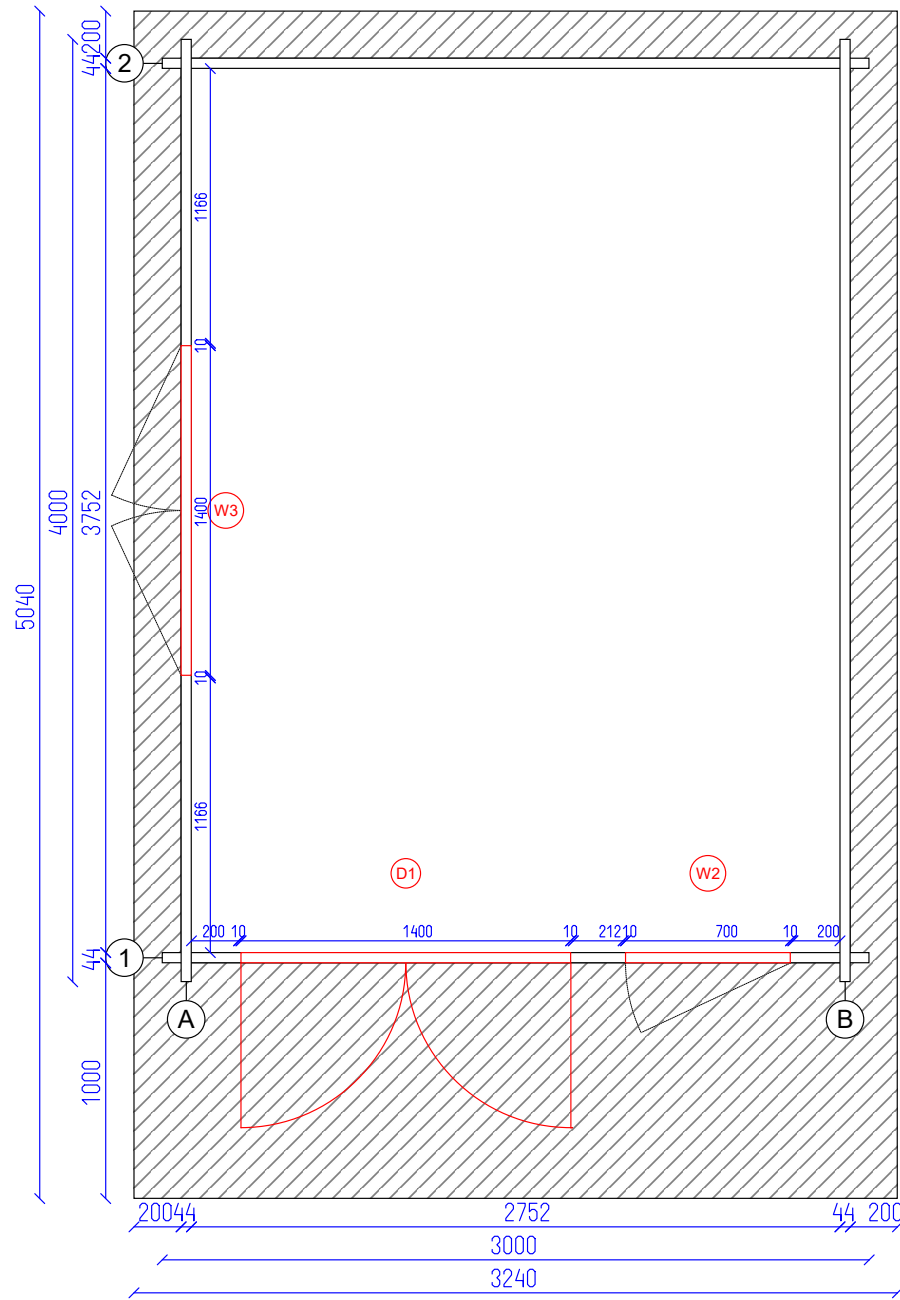


Grande 3x4 44

Tikr. ---	Dare AND	1 SHEET	7 OF
--------------	-------------	------------	---------



Grande 3x4 44

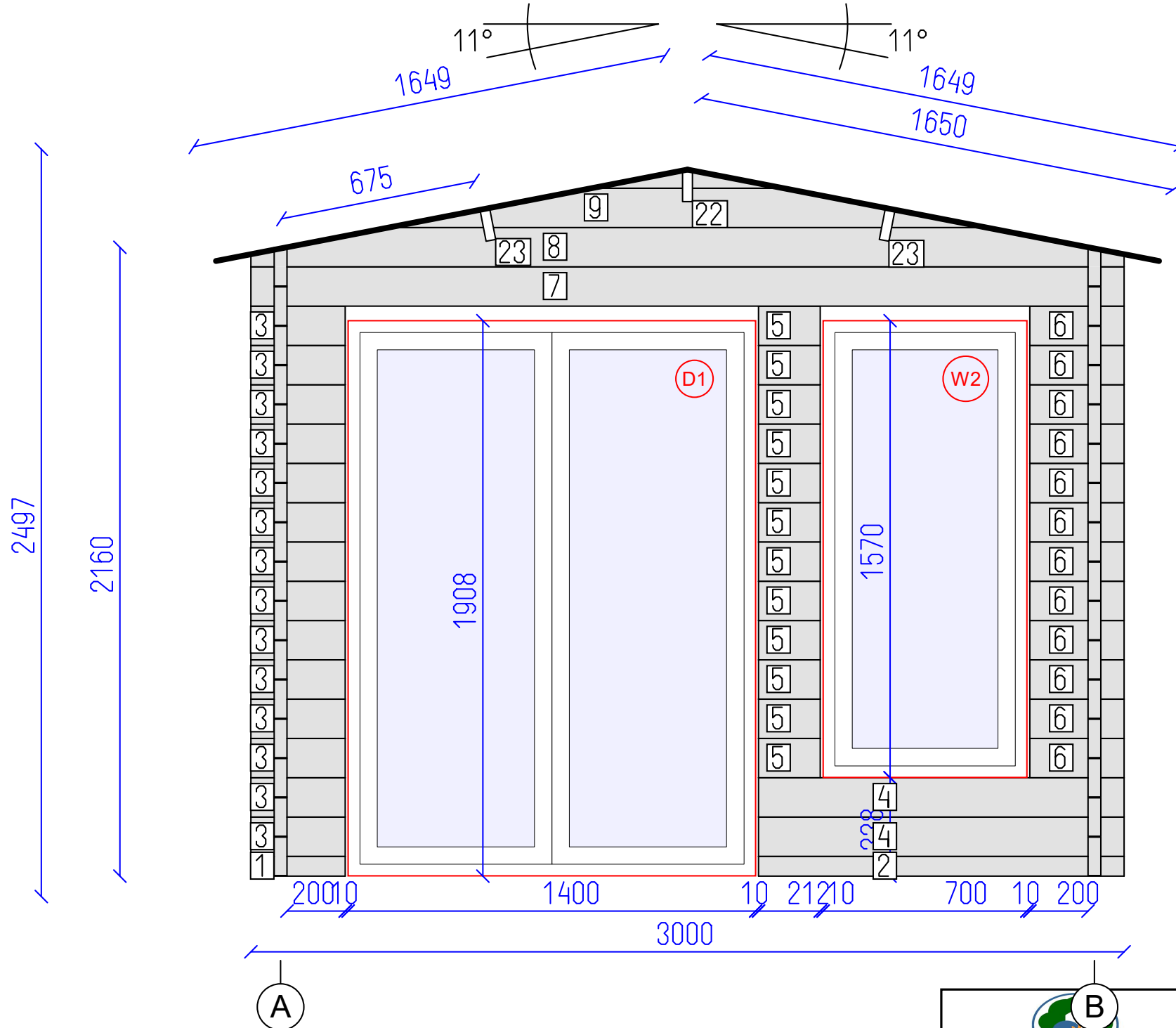
Ground plan

Tikr.

Dare
AND

2
SHEET

7
OF



DETAILS

N	QTY
1	1
2	1
3	14
4	2
5	12
6	12
7	1
8	1
9	1
22	1
23	2

LIST OF ELEMENTS

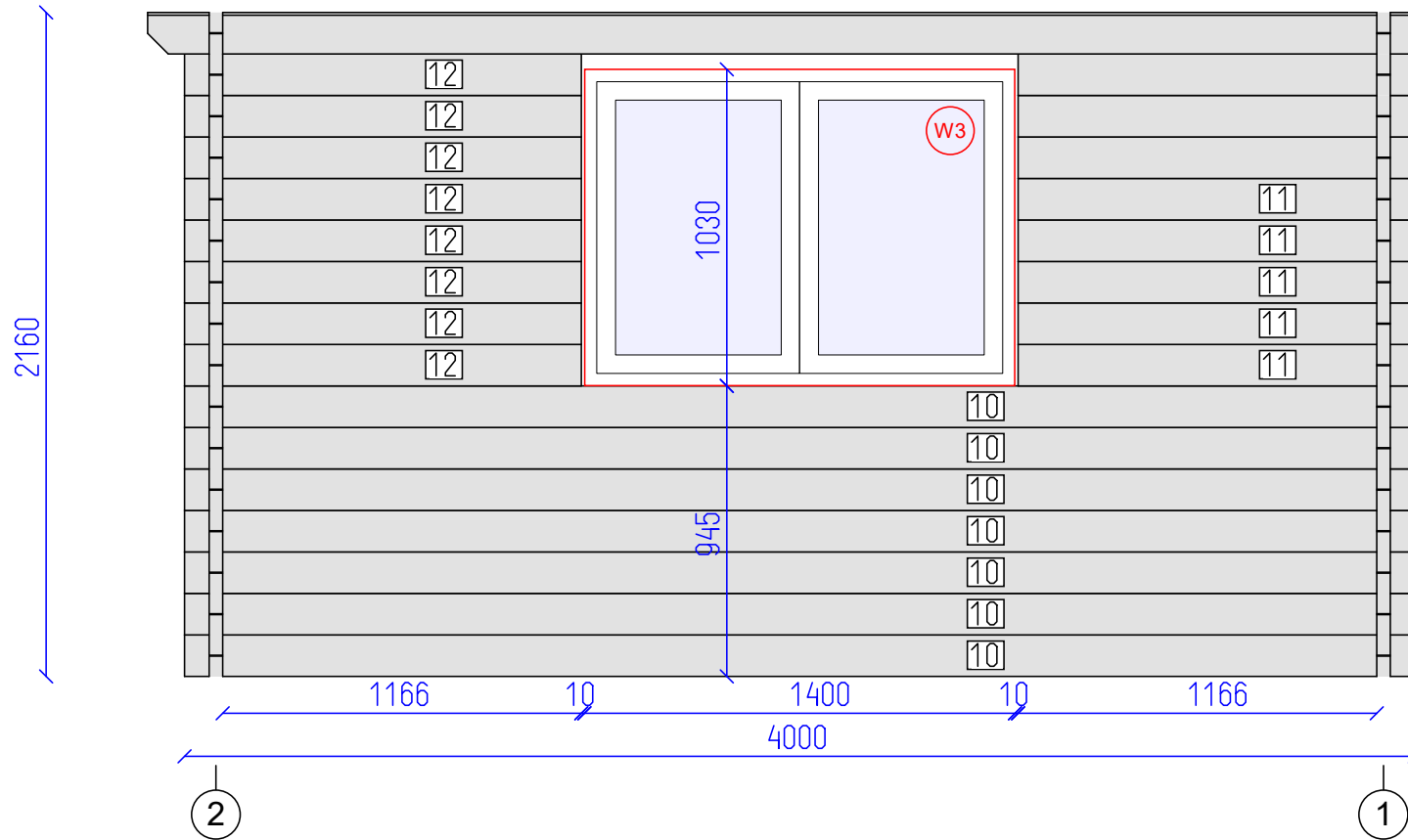
- Wall 68x44x324
- Wall 68x44x1256
- Wall 135x44x324
- Wall 135x44x1256
- Wall 135x44x212
- Wall 135x44x324
- Wall 135x44x3000
- Wall 135x44x3000
- Wall 135x44x2054
- Roof beam 140x44x5040
- Roof beam 140x44x5040

Total 5.13 m²

Grande 3x4 44

Wall 1	Tikr. ---	Dare AND	3 SHEET	7 OF
--------	-----------	----------	---------	------



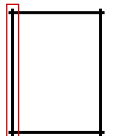


DETAILS

N	QTY
10	7
11	5
12	8
13	1
14	1
15	1
16	1

LIST OF ELEMENTS

- 10. Wall 135x44x4000
 - 11. Wall 135x44x1290
 - 12. Wall 135x44x1290
 - 13. Wall 135x44x1460
 - 14. Wall 135x44x1710
 - 15. Wall 135x44x1960
 - 16. Wall 135x44x5040
- Total 7.42 m²



Grande 3x4 44

Wall A

Tikr.

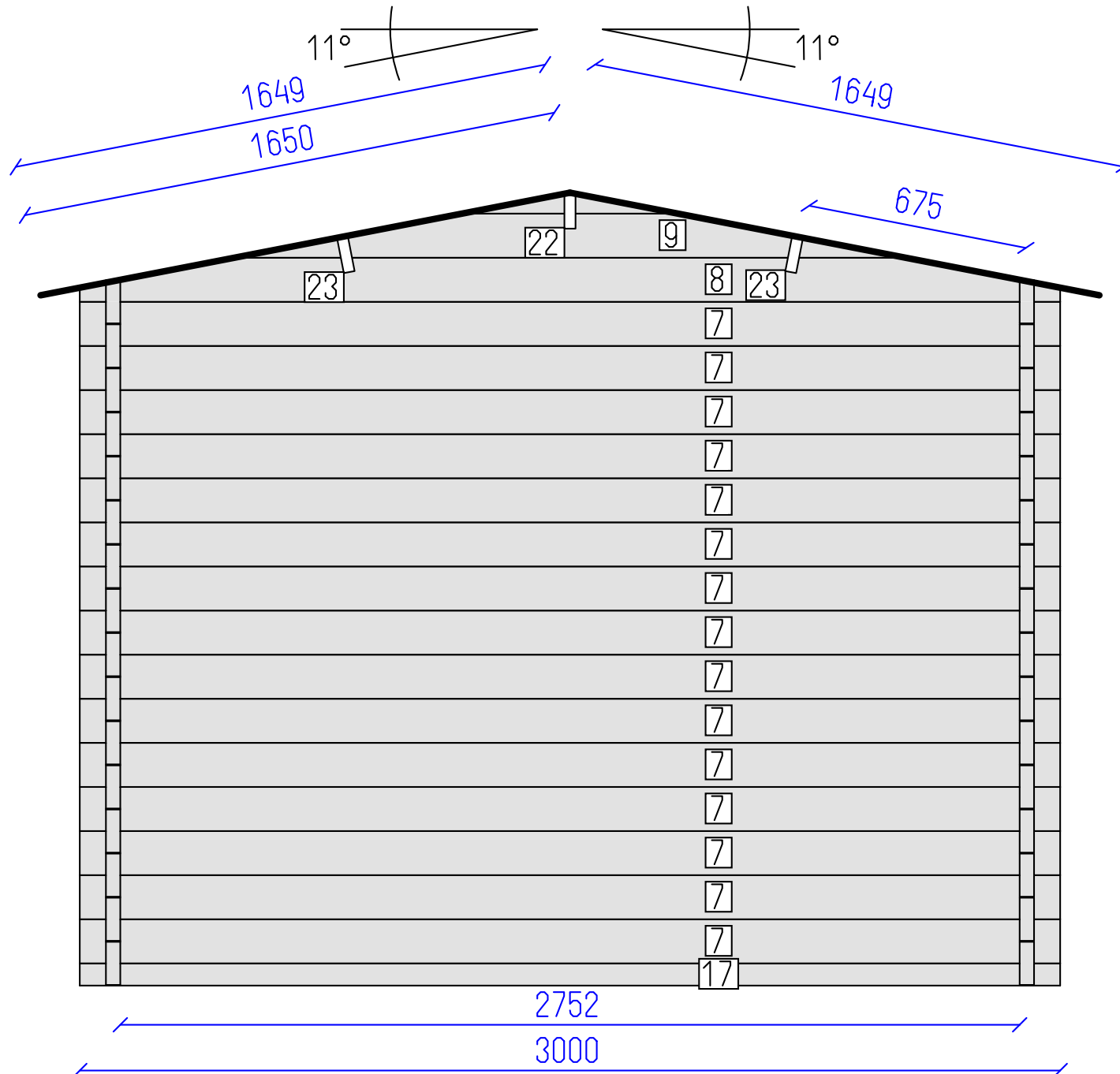
Dare
AND

4
SHEET

7
OF

2497

2160



DETAILS

N	QTY
17	1
7	15
8	1
9	1
22	1
23	2

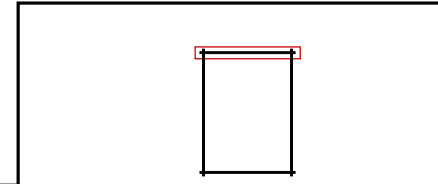
LIST OF ELEMENTS

- 17. Wall 68x44x3000
 - 7. Wall 135x44x3000
 - 8. Wall 135x44x3000
 - 9. Wall 135x44x2054
 - 22. Roof beam 140x44x5040
 - 23. Roof beam 140x44x5040
- Total 9.08 m²

B



A



Grande 3x4 44

Wall 2

Tikr. ---

Dare AND

5 SHEET

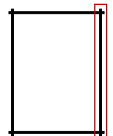
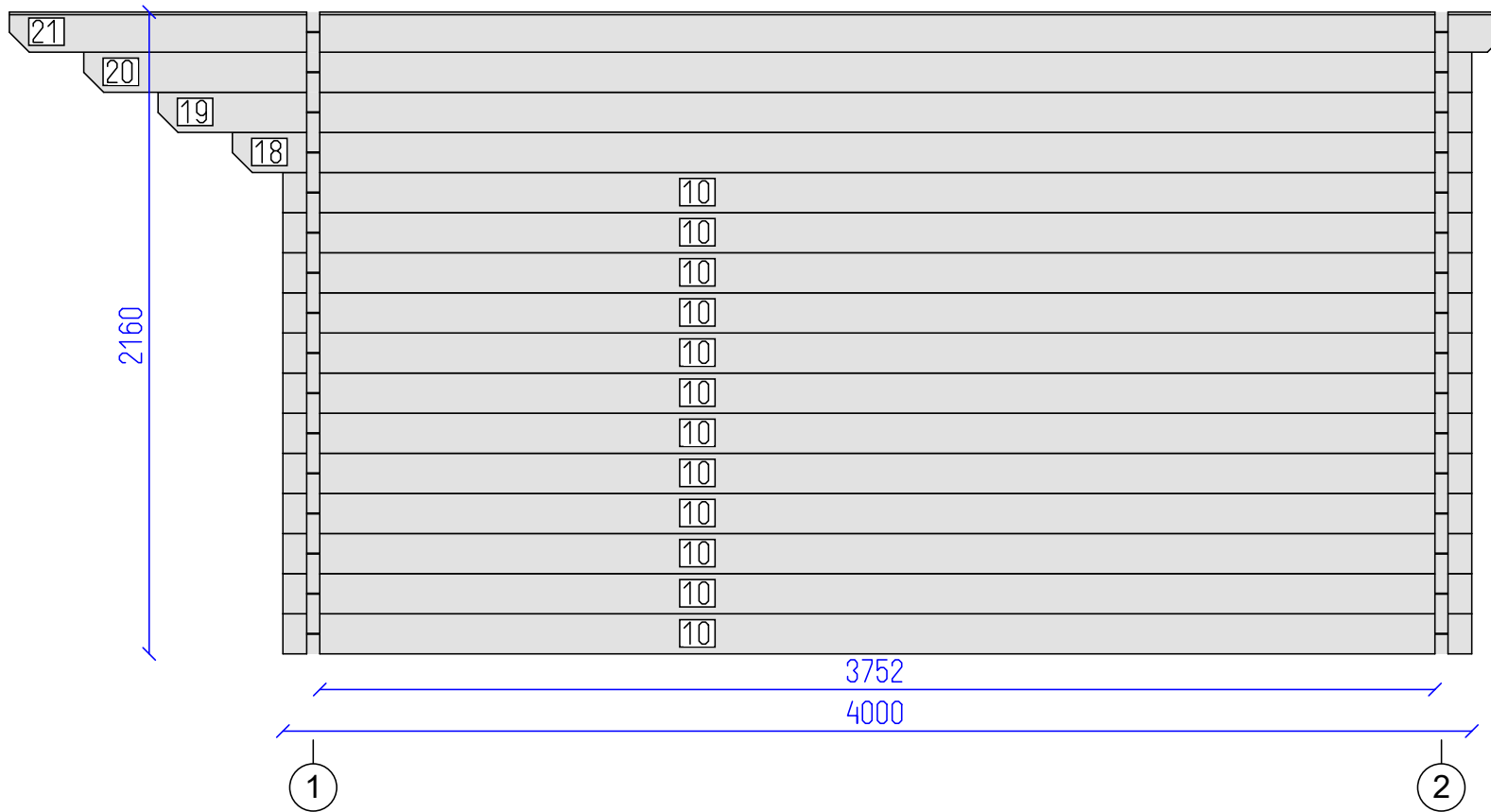
7 OF

DETAILS

N	QTY
10	12
18	1
19	1
20	1
21	1

LIST OF ELEMENTS

- 10. Wall 135x44x4000
 - 18. Wall 135x44x4170
 - 19. Wall 135x44x4420
 - 20. Wall 135x44x4670
 - 21. Wall 135x44x5040
- Total 8.95 m²



Grande 3x4 44

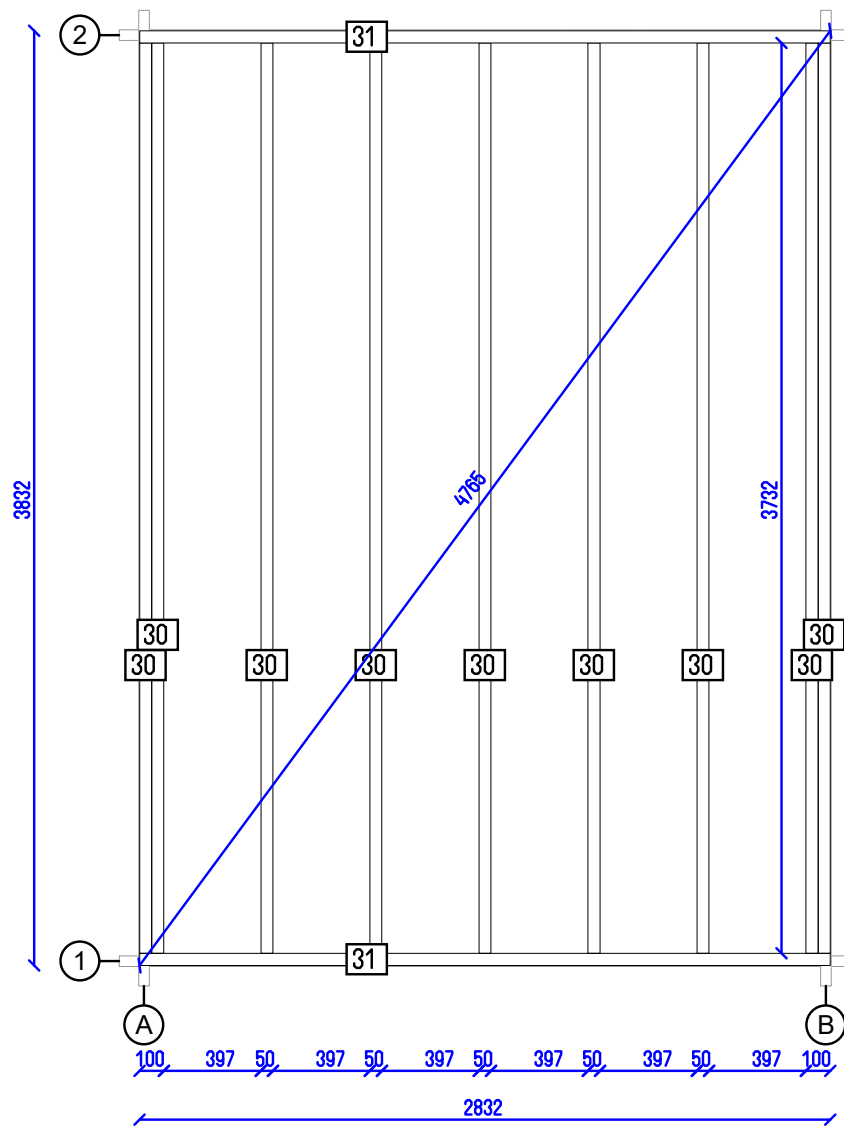
Wall B

Tikr.

Dare
AND

6
SHEET

7
OF



Grande 3x4 44

Flr. bearers pl.

Tikr. ---

Dare AND

7 SHEET

7 OF